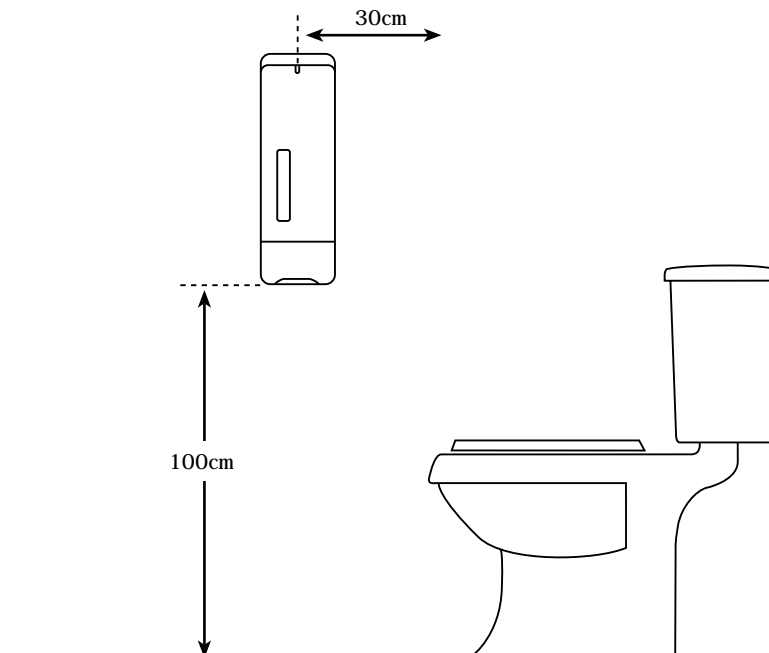


Installation Guide - Code 4401

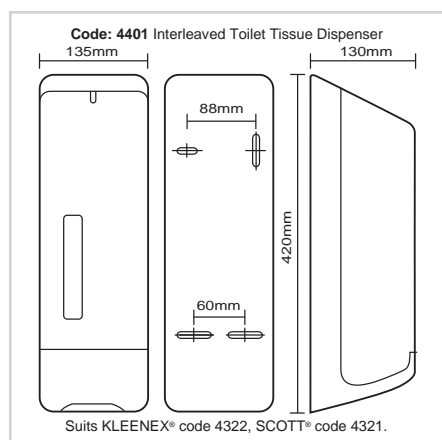
Soft Interleaved Toilet Tissue Dispenser

1
diagram



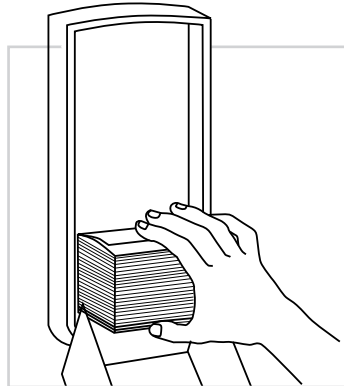
1. 4 screws and 4 plugs are enclosed.
2. Use an appropriate 6mm drill bit in conjunction with the enclosed wall plugs for masonry walls.
3. If plugs are not to be used then choose an appropriate size drill bit.
4. Using mounting template on box, mount the dispenser with bottom edge approximately 100cm from the floor and with centreline of dispenser 30cm from front edge of toilet (see diagram 1).
5. Use all mounting screws provided with dispenser as a minimum to attach dispenser to wall.
6. If no mounting template available open dispenser with key and hold squarely against wall while you mark drilling holes (or see diagram 2 for measurements).

2
diagram

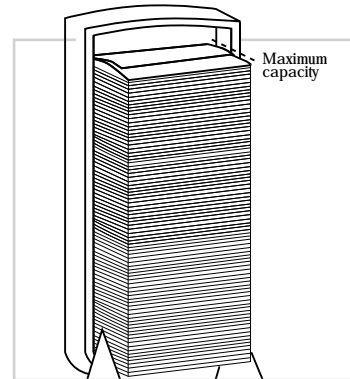


Usage Guide - Soft Interleaved Toilet Tissue Single Dispenser

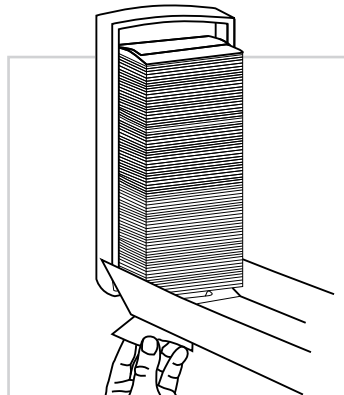
1 How to Load



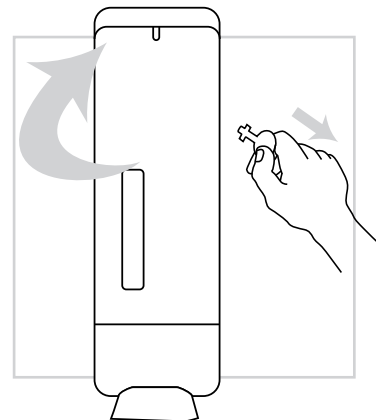
1. Use key to unlock the dispenser and lower front lid.
2. Remove wrapper and insert pack into the dispenser.



3. For best results do not fill above the "displayed" recommended line.
4. Overfilling above the recommended line will cause the dispenser to jam.

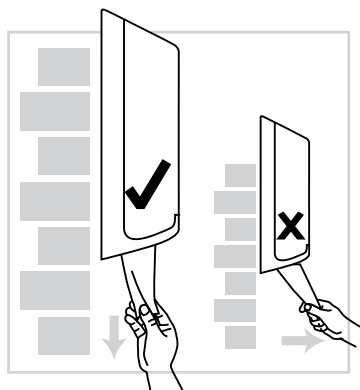


5. Feed first sheet through mouth at bottom of dispenser.



6. Remove key from lock and firmly close front lid.

2 How to Use



1. Always pull tissues straight down. Pulling at an angle will cause tearing.